

WOODBURNING STOVE REPORT

IMPORTANT: Photographs must be submitted showing Inside and Outside Venting Arrangement.

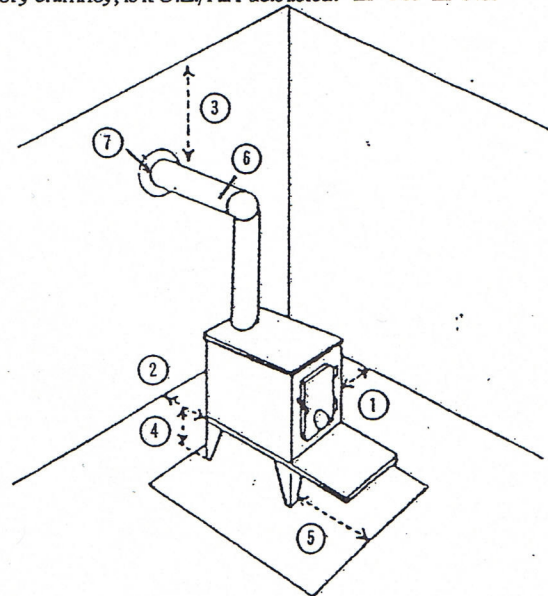
Insured or Applicant's Name: _____ Policy No.: _____

Agent's Name: _____ Agent's Code No. 5 _____ Date: _____

1. TYPE OF STOVE: Radiant Circulating or Jacketed 2. USED FOR: Primary Heat Auxiliary Heat
3. INSTALLED BY: Owner Contractor (Name): _____
4. Has local Building Inspector or Fire Department inspected installation? YES NO
5. Where in home is stove located? _____ Brand Name of stove: _____
6. Is there a smoke detector in same room as stove? YES NO Are there other smoke detectors in house? YES NO
7. Is stove free of large cracks or broken parts? YES NO
8. How often are chimney and stovepipes checked for creosote buildup? _____

FOLLOWING MUST BE COMPLETED

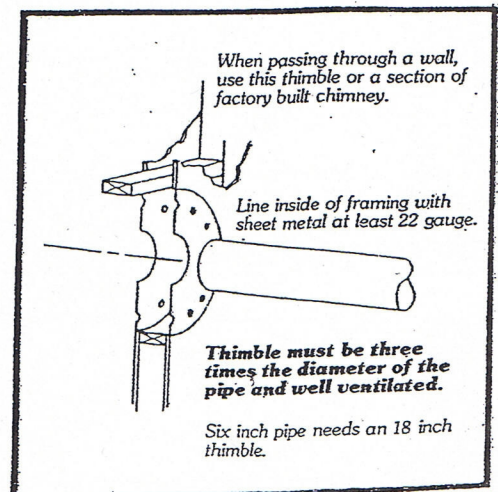
9. What is floor protection? Asbestos millboard covered with metal Metal Stone or brick Other (Describe): _____
10. What is wall protection? Asbestos millboard covered with metal Metal Asbestos millboard None Other (Describe): _____
11. Is there at least a one inch air space between wall protective shield and wall? Yes No and 1½ inches from bottom of shield to floor? Yes No.
12. Type of chimney: Factory chimney Masonry Other (Describe under Remarks) If factory chimney, is it U.L./All Fuels listed? Yes No.
13. Does Vent Pipe pass through a combustible partition? Yes No.
Was a Thimble Used? Yes No.
14. Does Vent Pipe pass directly through the roof? Yes No.
What type of fire proof protection was used at ceiling?



15. UNIT CLEARANCES Answer the following questions or fill in number of inches in diagram:

1. Side of unit to nearest wall _____ inches.
2. Rear of unit to wall _____ inches.
3. Top of stove pipe to ceiling _____ inches.
4. Bottom of unit to floor _____ inches.
5. Front of unit to front edge of floor protection _____ inches.
6. Size of stove pipe used _____ inches.
7. Size of thimble or roof joist shield _____ inches.

REMARKS:



IMPORTANT: Photographs **MUST** be submitted.